

mille-Tie™

Heavy-Duty



Best suited for bulkier cable management requirements, where standard black Mille-Ties are too small. Currently available in UV-resistant black. Suitable for both indoor and outdoor cabling.



- 5 Metres (16') of Cable Management in 560mm (22") strips.
- 28 Latching Cells per Strip. Cut and reuse again and again.
- Ideal to contain or suspend larger or heavier cable bundles.
- Wider heavier format.
- Mounting and fixing holes on every cell.
- "All Weather" polymer.

Expanding on the original Mille-Tie concept, the Heavy-Duty Mille-Tie offers all the same advantages, but with increased strength and bundling capacity.

Designed for containing and supporting bulkier cables (up to 16Kg/ 35lb), the Heavy-Duty Mille-Tie is the ideal choice for demanding cable management.

This sophisticated quick-fit fastener is available as 560mm (22") long strips, and can readily accommodate bundles in excess of 150mm (6") diameter.

The ties are essentially "waste-free" - whereby any unused portions may be used again - and are inherently soft and flexible.

They also stretch slightly to limit the binding pressure in an over-tightening situation, which greatly reduces the risk of costly cable damage, both during installation and subsequent operation.

Behind this is the unique "Intelligent Grip System" which promotes optimum performance on all high specification cable installations.

This novel design is also highly versatile and allows for a wide range of cable management options. These include multiple loops, spirals, and a quick-release configuration for easier maintenance.

Additionally, the Heavy-Duty Mille-Tie introduces fixing holes on each cell, and is now better suited for outdoor use, being made from 2mm thick UV-resisting polyurethane alloy.

LARGE HEAVY BUNDLES.
Holds single bundles up to 150mm (6") diameter, or several of smaller size. Simply remove & reuse the leftover strip. (Strips can also be joined together for bigger applications.)



HOLDS VERTICAL CABLES.
Grips riser bundles with a positive gentle grip that won't crush the cables or allow them to slip. Heavy-Duty Mille-Tie will support up to 13Kg (30lb) when using a "secure-latch".



MOUNTING POINTS.
Each cell on the Heavy-Duty Mille-Tie contains an integral 4mm (0.1") Fixing Hole, which provides a fast and effective way to hook, screw, nail or pin the tie in place.



SUSPENDING CABLES.
Use a double loop to suspend cables up to 13Kg (30lb) or keep bundles segregated for easier identification and maintenance.



TEMPORARY WORK.
The unique Mille-Tie design allows easy removal through the use of a "quick-release" technique. When used in this way, the Mille-Tie is ideal for temporary management system during installation.

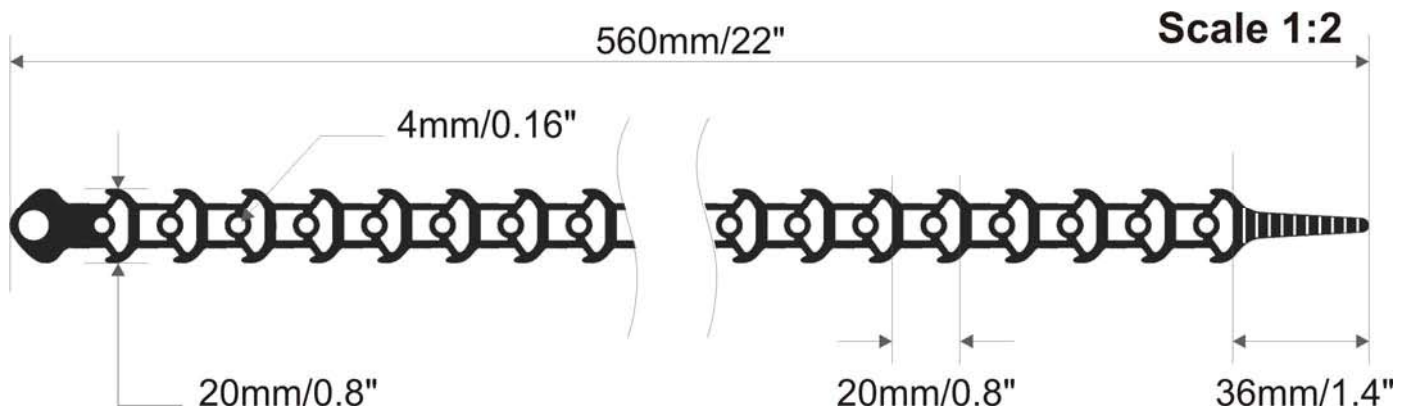


ALL-WEATHER DESIGN.
A custom UV and bacterial resistant polymer means this Heavy-Duty Mille-Tie is ideal for use in almost any outdoor environment.



Product Code	EAN Code	Description	Pack Size	Packs per Outer Case
HDMT-BK10-UK	HDMT-BK10-UK	Black 22"	10	100
HDMT-DK10-UK	5060029110406	Dark Green 22"	10	100

Heavy-Duty Mille-Tie Technical Specification



Physical Properties:

Length Of Strip:	560mm (22")
Width (Latching Cell):	20 mm (0.8")
Width (Spacer Cell):	12 mm (0.5")
Thickness:	2.0mm (0.1")
Cells per Strip / Fastening Holes (One per cell):	28 (1 per 20mm (0.75") apx.)
Maximum Bundle Size (Full Strip):	> 150 mm (6") diameter
Maximum Bundle Size:	< 25mm (1") diameter
Uses Per Strip @ 25mm (1") Diameter:	5
Average Usage per Strip @ 30mm (24x CAT6 cables):	4
Fastening Hole Diameter:	4 mm (0.1") (Accepts M4 / 3BA fasteners)
Standard Colours Available:	Black (UV stabilised, All Weather)

Material Properties:

Material:	Thermoplastic Polyurethane Elastomer Alloy
Density:	1.16Kg/m ³ (0.0419 lb/in ³)
Tensile and Tear Strength:	High
Ultimate Material Tensile Strength:	40MPa (5800 Psi)
Ultimate Material Elongation:	Apx. 460%
Taper Abrasion H-18 Wheel, 1000g (1.1lb) Load:	Low (Good abrasion resistance)
Modulus of Elasticity:	Very Low (Very flexible)
Resistance to Fuels and Oils:	Excellent

Mechanical Properties:

Maximum Load – single loop:	9Kg (20 lb)
Maximum Latch Strength – secure latch:	23Kg (50 lb)
Maximum Load – secure latch:	23Kg (50 lb)

Thermal Properties:

Recommended Service Temperature Range [no load]:	-20°C to +60°C (-4°F to 140°F)
Short Temp Peak Temperature Range [no load]:	-30°C to +80°C (-22°F to 176°F)
Vicat Softening Temperature:	130°C (266°F)
Glass Transition Temperature:	-30°C (-22°F) [Pellet sample]

Ultra-Violet Properties:

UV Properties [Black UV resistant]:	Excellent
-------------------------------------	-----------